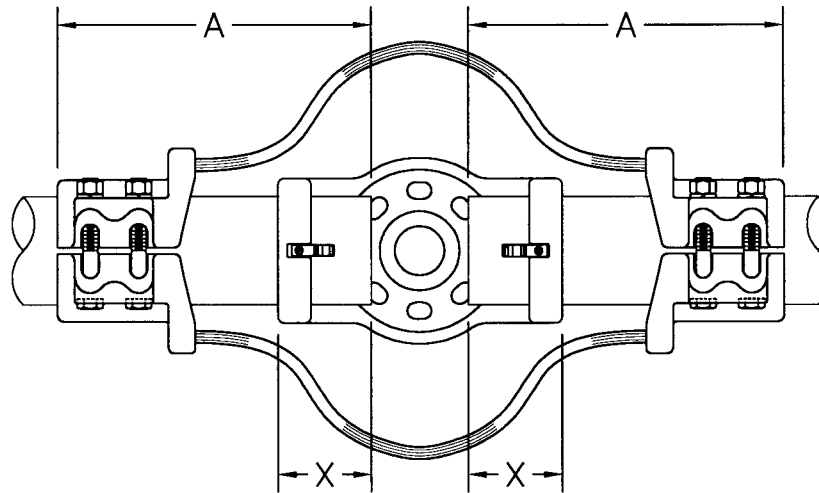


INSTALLATION CHART FOR TYPE "AXCTO"



Pipe Size (SPS)	Bolt Circle	Max Length to closest fixed support (ft.)	A (in.)	X (in.) at specified installation bus temperature												
				-10°F	0°F	10°F	20°F	30°F	40°F	50°F	60°F	70°F	80°F	90°F	100°F	110°F
1	3	60	7 3/8	3/4	7/8	7/8	1	1 1/8	1 1/4	1 3/8	1 3/8	1 1/2	1 5/8	1 3/4	1 7/8	2
1 1/4	3	60	9 3/4	1 1/2	1 5/8	1 5/8	1 3/4	1 7/8	2	2 1/8	2 1/8	2 1/4	2 3/8	2 1/2	2 5/8	2 3/4
1 1/2	3	65	9 3/4	1 1/4	1 3/8	1 1/2	1 1/2	1 5/8	1 3/4	1 7/8	2	2 1/8	2 1/4	2 1/4	2 3/8	2 1/2
1 1/2	5	100	10	1 1/4	1 1/2	1 5/8	1 3/4	2	2 1/8	2 1/4	2 3/8	2 5/8	2 3/4	2 7/8	3 1/8	3 1/4
2	3	70	10 1/8	1 1/4	1 3/8	1 1/2	1 5/8	1 3/4	1 3/4	1 7/8	2	2 1/8	2 1/4	2 3/8	2 1/2	2 5/8
2	5	100	10 3/8	1 1/4	1 1/2	1 5/8	1 3/4	2	2 1/8	2 1/4	2 3/8	2 5/8	2 3/4	2 7/8	3 1/8	3 1/4
2 1/2	3	70	10 1/8	1 1/4	1 3/8	1 1/2	1 5/8	1 3/4	1 3/4	1 7/8	2	2 1/8	2 1/4	2 3/8	2 1/2	2 5/8
2 1/2	5	100	10 3/8	1 1/4	1 1/2	1 5/8	1 3/4	2	2 1/8	2 1/4	2 3/8	2 5/8	2 3/4	2 7/8	3 1/8	3 1/4
3	3	65	11	1 3/8	1 1/2	1 5/8	1 5/8	1 3/4	1 7/8	2	2 1/8	2 1/4	2 3/8	2 3/8	2 1/2	2 5/8
3	5	100	11 1/2	1 3/8	1 5/8	1 3/4	1 7/8	2	2 1/4	2 3/8	2 1/2	2 5/8	2 7/8	3	3 1/8	3 1/4
3 1/2	3	65	11 3/8	1 3/8	1 1/2	1 5/8	1 5/8	1 3/4	1 7/8	2	2 1/8	2 1/4	2 3/8	2 3/8	2 1/2	2 5/8
3 1/2	5	100	11 7/8	1 3/8	1 5/8	1 3/4	1 7/8	2	2 1/4	2 3/8	2 1/2	2 5/8	2 7/8	3	3 1/8	3 1/4
3 1/2	7 **	120	12 3/4	1 5/8	1 3/4	2	2 1/8	2 3/8	2 1/2	2 3/4	2 7/8	3 1/8	3 3/8	3 1/2	3 3/4	3 7/8
4	3	65	12 1/8	1 3/8	1 1/2	1 5/8	1 5/8	1 3/4	1 7/8	2	2 1/8	2 1/4	2 3/8	2 3/8	2 1/2	2 5/8
4	5	135	13 1/8	1 5/8	1 3/4	2	2 1/4	2 1/2	2 5/8	2 7/8	3 1/8	3 1/4	3 1/2	3 3/4	3 7/8	4 1/8
4	7	150	13 3/8	1 1/2	1 3/4	2	2 1/4	2 1/2	2 5/8	2 7/8	3 1/8	3 3/8	3 5/8	3 7/8	4 1/8	4 3/8
5	3	60	14	1 5/8	1 3/4	1 3/4	1 7/8	2	2 1/8	2 1/4	2 1/4	2 3/8	2 1/2	2 5/8	2 3/4	2 7/8
5	5	135	17 1/4	2 5/8	2 3/4	3	3 1/4	3 1/2	3 5/8	3 7/8	4 1/8	4 1/4	4 1/2	4 3/4	4 7/8	5 3/8
5	5 **	135	16 1/2	2	2 1/8	2 3/8	2 5/8	2 7/8	3	3 1/4	3 1/2	3 5/8	3 7/8	4 1/8	4 1/4	4 1/2
5	7	130	17 1/4	2 5/8	2 3/4	3	3 1/4	3 3/8	3 5/8	3 7/8	4	4 1/4	4 1/2	4 5/8	4 7/8	5
5	7 **	120	16 1/2	2	2 1/8	2 3/8	2 1/2	2 3/4	2 7/8	3 1/8	3 1/4	3 1/2	3 5/8	3 7/8	4	4 1/4
6	5	140	16 7/8	2 5/8	2 7/8	3	3 1/4	3 1/2	3 3/4	3 7/8	4 1/8	4 3/8	4 5/8	4 3/4	5	5 1/4
6	5 **	125	16 7/8	2 1/2	2 5/8	2 7/8	3	3 1/4	3 1/2	3 5/8	3 7/8	4	4 1/4	4 1/2	4 5/8	4 7/8
6	7	120	16 1/2	2 1/2	2 5/8	2 7/8	3	3 1/4	3 3/8	3 5/8	3 3/4	4	4 1/4	4 3/8	4 5/8	4 3/4

When installed at the listed dimensions, the connector will accommodate a temperature range between -20°F and 180°F for a distance to the closest fixed support up to and including the maximum listed.

** With corona rings

SEFCOR RECOMMENDED TORQUE VALUES

Dia.	Silicon Bronze Hardware			Aluminum Hardware			Galv. Steel Hardware			Stainless Steel Hardware		
	in-lb	ft-lb	N-m	in-lb	ft-lb	N-m	in-lb	ft-lb	N-m	in-lb	ft-lb	N-m
5/16"	180	15	20.3	120	10	13.6	120	10	13.6	120	10	13.6
3/8"	240	20	27.1	180	15	20.3	180	15	20.3	180	15	20.3
1/2"	480	40	54.2	300	25	33.9	300	25	33.9	300	25	33.9
5/8"	660	55	74.6	480	40	54.2	480	40	54.2	480	40	54.2
3/4"	840	70	94.9	720	60	81.3	720	60	81.3	720	60	81.3



GRIFFIN, GEORGIA

DWS 2/25/02

AA-2674

No. By Date Revision