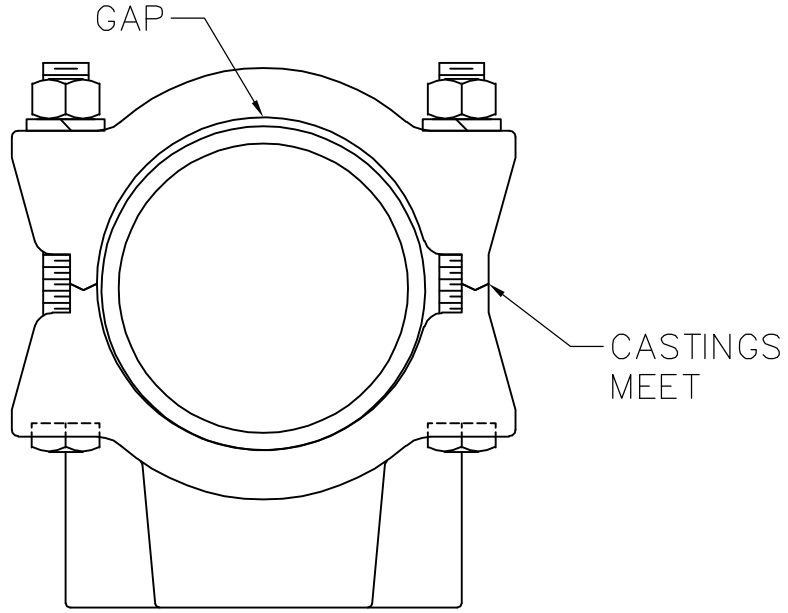
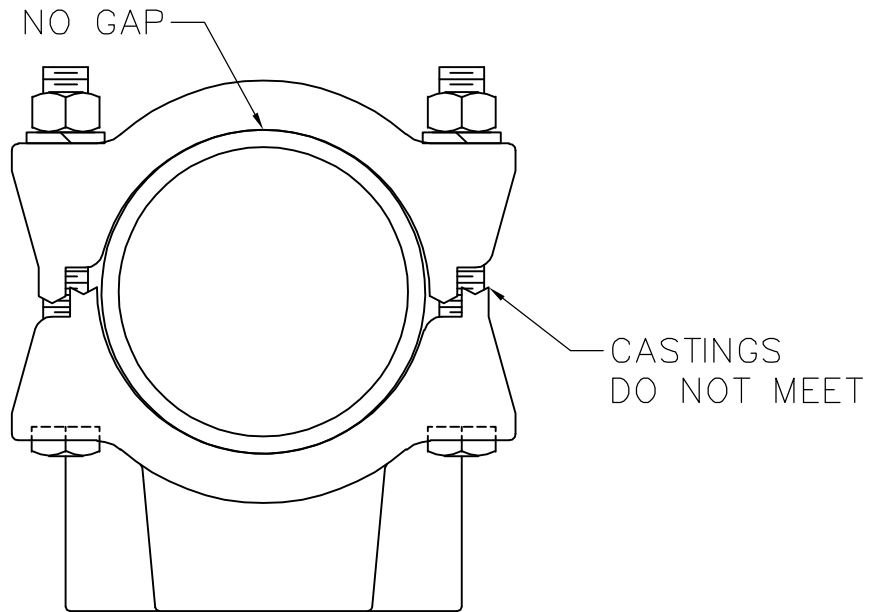


Catalog No. INSTALL ASTI SLIP-RIGID

CONDUCTOR:



SLIP FIT



RIGID FIT

Job no. \_\_\_\_\_

Item(s) no. \_\_\_\_\_

Qty. req'd \_\_\_\_\_

Ass'y Wt. \_\_\_\_\_ #

No.	By	Date	Revision

**SEFCOR** INC.  
GRIFFIN, GEORGIA

DWS 9/20/12

INSTALL ASTI SLIP-RIGID