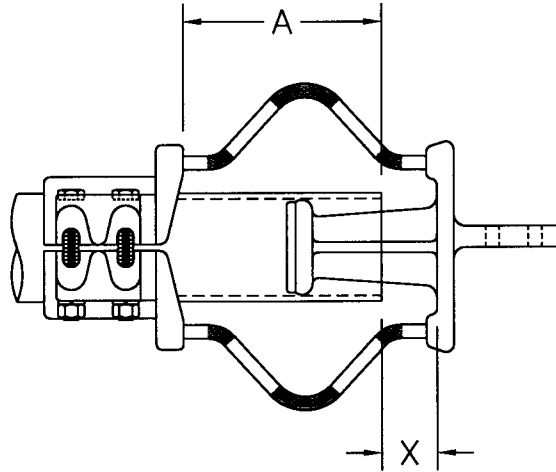


# INSTALLATION CHART FOR TYPE "AFXT & AFXT-V" (WITH OR WITHOUT CORONA RINGS)



Pipe Size (SPS)	Maximum Length to fixed support (ft.)	A (in.)	X (in.) at specified installation bus temperature													
			-10°F	0°F	10°F	20°F	30°F	40°F	50°F	60°F	70°F	80°F	90°F	100°F	110°F	120°F
1	80	4 3/4	2 7/8	2 3/4	2 5/8	2 1/2	2 3/8	2 1/4	2 1/8	2	1 7/8	1 3/4	1 5/8	1 1/2	1 3/8	1 1/4
1 1/4	85	5	3 1/8	3	2 7/8	2 3/4	2 5/8	2 3/8	2 1/4	2 1/8	2	1 7/8	1 3/4	1 5/8	1 1/2	1 3/8
1 1/2	95	5 1/8	3 3/8	3 1/4	3	2 7/8	2 3/4	2 5/8	2 1/2	2 1/4	2 1/8	2	1 7/8	1 3/4	1 1/2	1 3/8
2	125	5	4 1/4	4 1/8	3 7/8	3 3/4	3 1/2	3 1/4	3 1/8	2 7/8	2 3/4	2 1/2	2 1/4	2 1/8	1 7/8	1 3/4
2 1/2	140	7	4 5/8	4 1/2	4 1/4	4	3 3/4	3 5/8	3 3/8	3 1/8	2 7/8	2 3/4	2 1/2	2 1/4	2	1 7/8
3	140	7 1/2	4 5/8	4 1/2	4 1/4	4	3 3/4	3 5/8	3 3/8	3 1/8	2 7/8	2 3/4	2 1/2	2 1/4	2	1 7/8
3 1/2	125	7 3/4	4 1/4	4 1/8	3 7/8	3 3/4	3 1/2	3 1/4	3 1/8	2 7/8	2 3/4	2 1/2	2 1/4	2 1/8	1 7/8	1 3/4
4	125	8 1/4	4 1/4	4 1/8	3 7/8	3 3/4	3 1/2	3 1/4	3 1/8	2 7/8	2 3/4	2 1/2	2 1/4	2 1/8	1 7/8	1 3/4
5	150	7	5	4 3/4	4 1/2	4 1/4	4 1/8	3 7/8	3 5/8	3 3/8	3 1/8	2 7/8	2 5/8	2 3/8	2 1/8	1 7/8
6	150	7	5	4 3/4	4 1/2	4 1/4	4 1/8	3 7/8	3 5/8	3 3/8	3 1/8	2 7/8	2 5/8	2 3/8	2 1/8	1 7/8

When installed at the listed dimensions, the connector will accommodate a temperature range between -20°F and 180°F for a distance to the closest fixed support up to and including the maximum listed.

If an application is outside of the specified range, contact the factory (770-227-8297) for more information.

## SEFCOR RECOMMENDED TORQUE VALUES

Dia.	Silicon Bronze Hardware			Aluminum Hardware			Galv. Steel Hardware			Stainless Steel Hardware		
	in-lb	ft-lb	N-m	in-lb	ft-lb	N-m	in-lb	ft-lb	N-m	in-lb	ft-lb	N-m
5/16"	180	15	20.3	120	10	13.6	120	10	13.6	120	10	13.6
3/8"	240	20	27.1	180	15	20.3	180	15	20.3	180	15	20.3
1/2"	480	40	54.2	300	25	33.9	300	25	33.9	300	25	33.9
5/8"	660	55	74.6	480	40	54.2	480	40	54.2	480	40	54.2
3/4"	840	70	94.9	720	60	81.3	720	60	81.3	720	60	81.3

			<b>SEFCOR</b> INC. GRIFFIN, GEORGIA	DWS	3/15/02	
No.	By	Date		Revision	AA-2676	